

PULL-OUT SPICE ORGANIZER INSTALLATION GUIDE



INCLUDED ITEMS

- (1) Wood **Pull-out Spice Organizer** with soft close undermount slides and floor mounting brackets attached.
- (1) Plastic **Rear Mounting socket** (for upper slide).

INSTALLATION STEPS

1: **Place complete Organizer into cabinet** and find final location in relation to partial overlay, full overlay, or inset door application. Measure distance from front edge of cabinet to front of first floor mount bracket. Write this measurement down.

2: **Remove complete organizer from cabinet** and separate the slides from the wood unit by releasing the front fixing clips.

Lower Slide

3: Using measurement found from step 1, **place lower slide with attached floor mounting brackets onto cabinet floor** and screw to floor of cabinet (screws not included).

Upper Slide & Plastic Rear Mount Socket

4: Installing cabinet member of upper drawer slide:

4a: **Align rear mount socket** with upper slide & screw it to back wall of cabinet (screws not included). Insert back portion of slide into plastic rear mount socket.

4b: **Attach front of slide** by screwing into face frame or install a short spacer block behind face frame & screw to block. This will be determined by door style i.e. overlay, full overlay, or inset (screws not included). Enclosed find optional (2) gray slide spacers with adhesive back to assist with proper spacing between upper slide & cabinet faceframe/cabinet side.

4c: **Extend slides out and insert through notches** in back of wood pull-out. Extend them all the way to the front until they click into front locking devices.

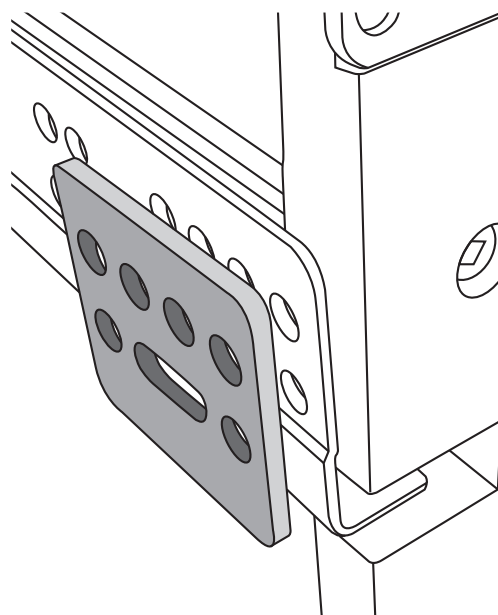


Illustration for gray slide spacer - see 4b